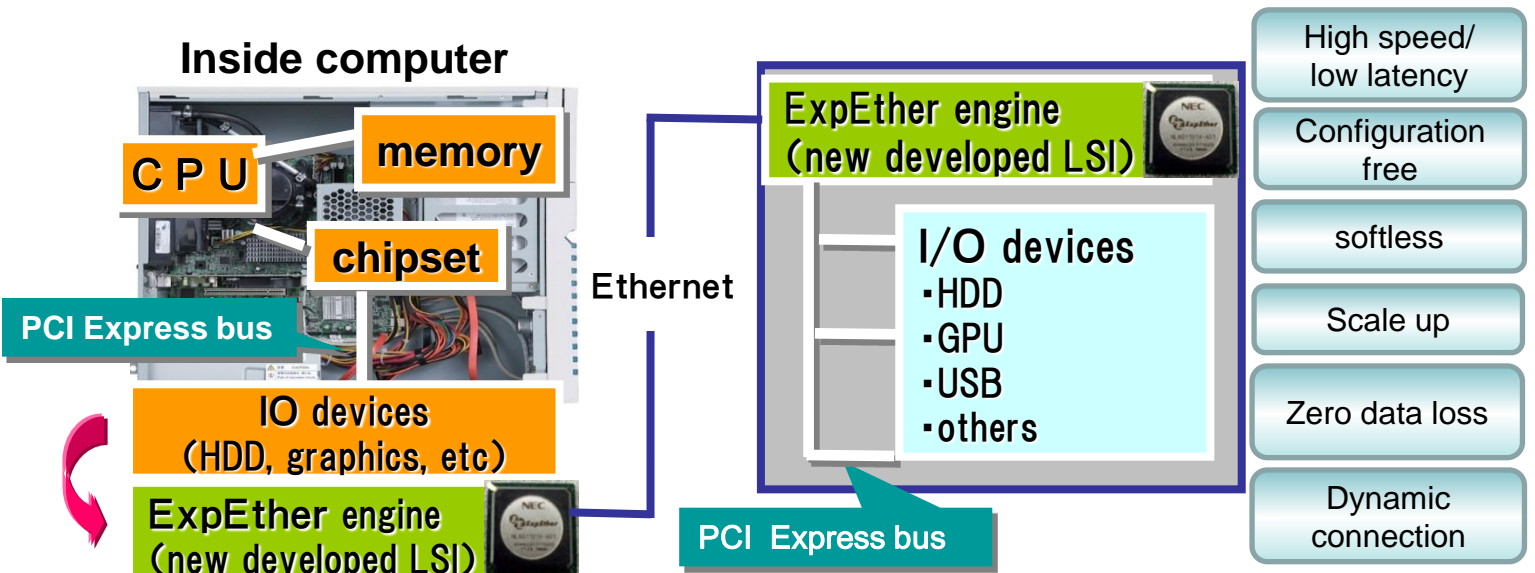


PCI Express computer enhancing technology

ExpEther

World 1st epoch-making technology “High speed/low latency”, “Free configuration”, “Scale up”(Proprietary)

ExpEther is the technology to extend PCIExpress bus over Ethernet



Enable to add computer resources over Ethernet as if single computer

ExpEther product line up

ExpEther terminal



- 1000BASE-T × 2
- DVI × 1, HDMI × 1
- USB 3.0 × 1, 2.0 × 3
- headphone port × 1
- microphone port × 1

ExpEther access terminal

ExpEther board(2G)



- 1000BASE-T × 2
- PCI Express (× 1)
- support for Low Profile

ExpEther loading board for server/workstation

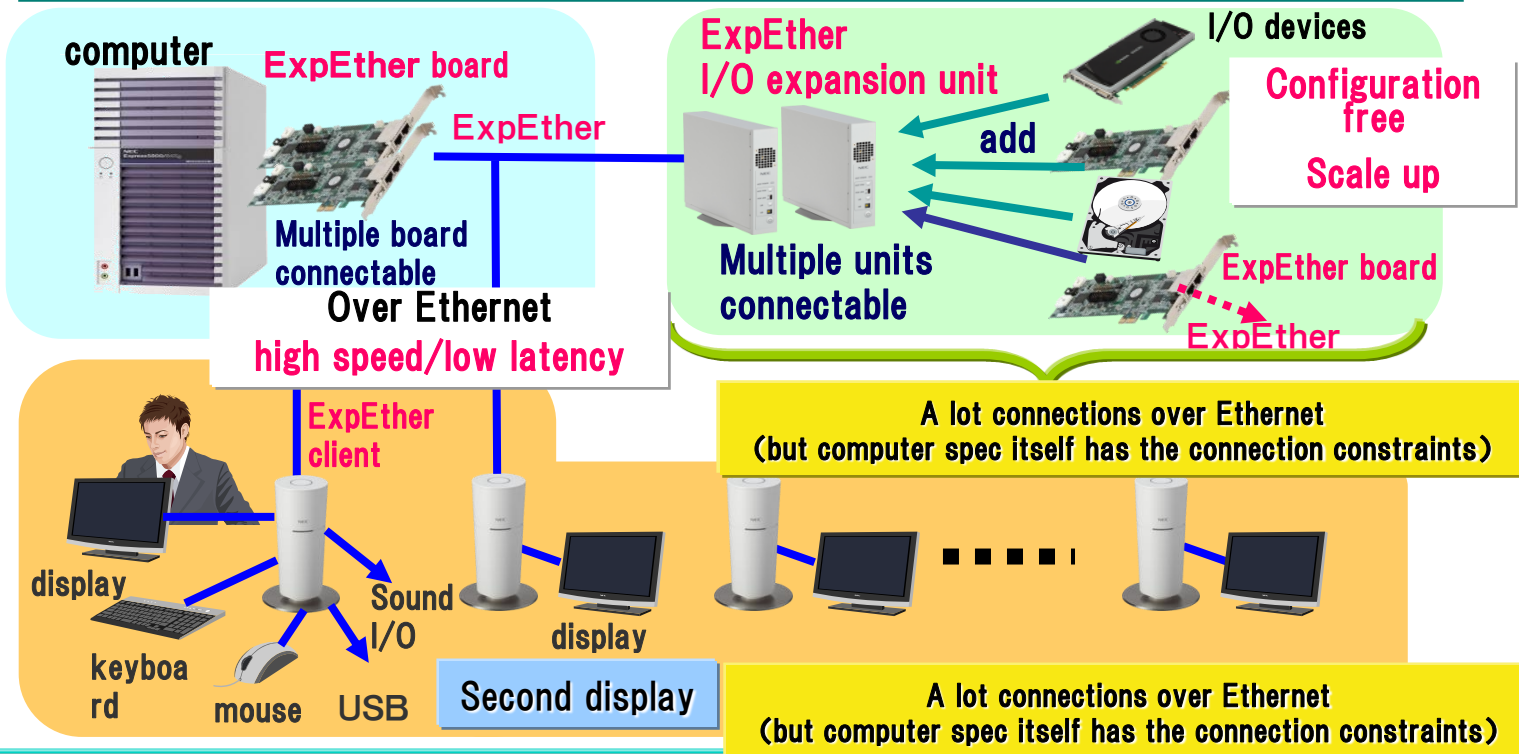
ExpEther I/O expansion unit(2G)



- 1000BASE-T × 2
- PCI Express (× 16) × 1 loadable

ExpEther access terminal with various devices such as graphic board

Connection image

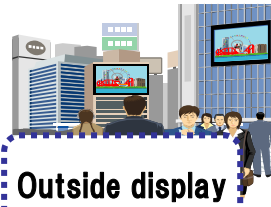
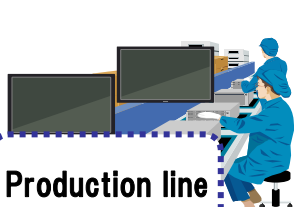


Use case

Dividable set environment

issue

- need to set computers under bad environment



ExpEther solution

Enclosed room

Outside

Less need to maintain the computers at fields



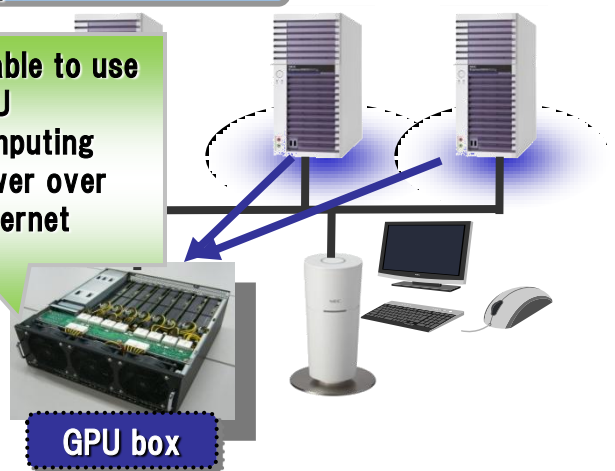
Scale up computer

issue

- need to load high spec GPU board, but the space in computers is limited.

ExpEther solution

Enable to use GPU computing power over Ethernet



Customer contact

contact-e2@aws.jp.nec.com